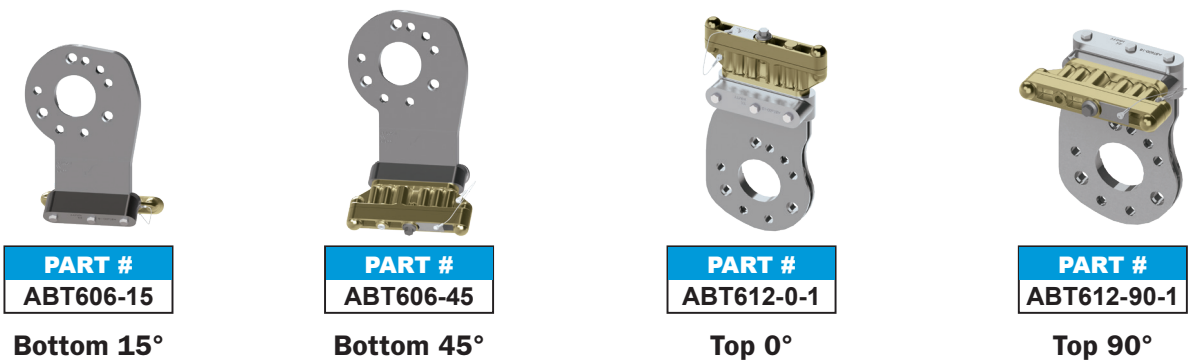
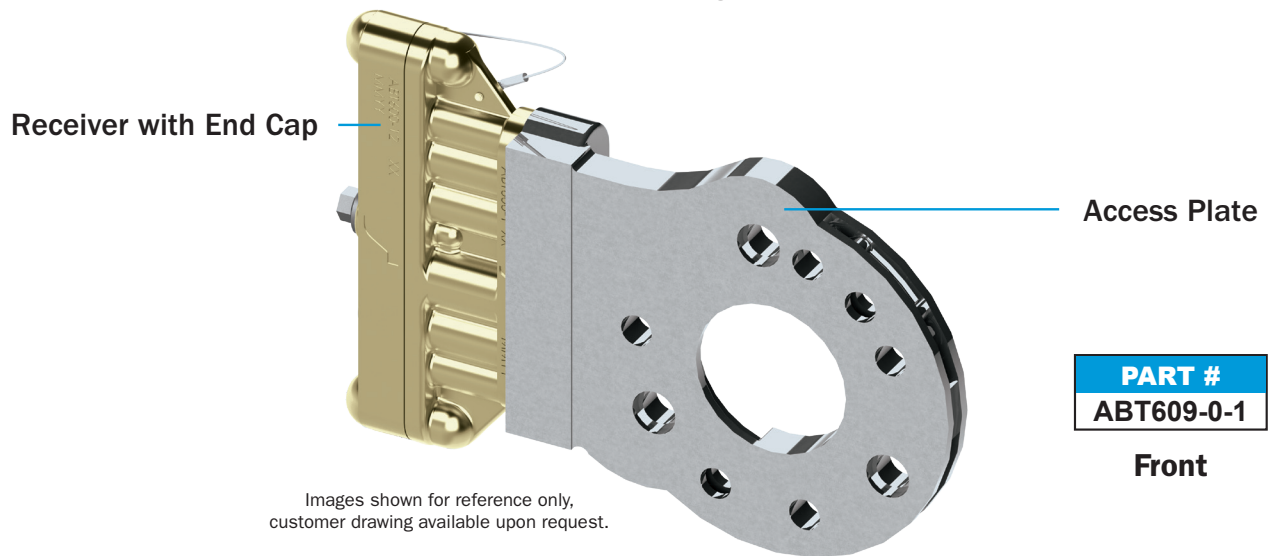


4-PORT RECEIVER & ACCESS PLATE ASSEMBLIES

For installation between control valve pipe brackets* without a built-in receiver mounting pad and service portion. Used with an automated single car test device to perform single car air brake testing.

**For use on Standard Pipe Brackets only*

Available in 5 configurations.



Includes Installation Hardware:

