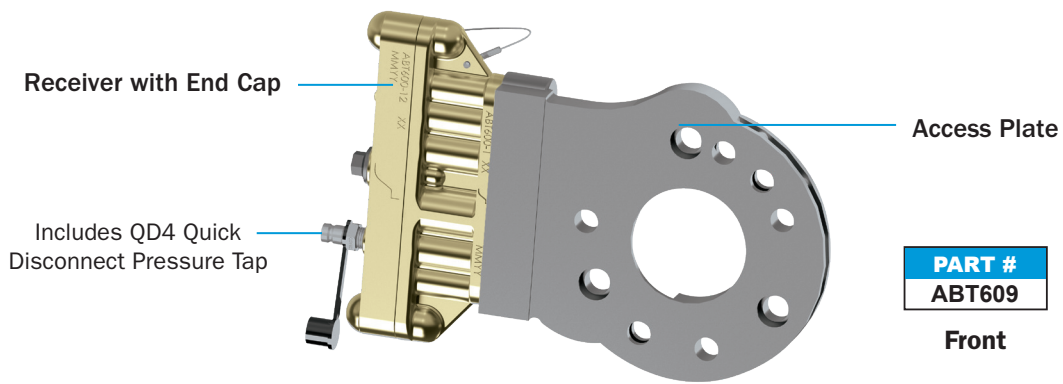


# 4-PORT RECEIVER & ACCESS PLATE ASSEMBLIES

For installation between control valve pipe brackets\* without a built-in receiver mounting pad and service portion. Used with an automated single car test device to perform single car air brake testing.

*\*For use on Standard Pipe Brackets only*

Available in 5 configurations.



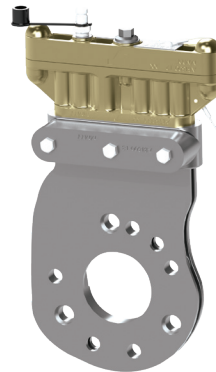
**PART #**  
**ABT606-15**

**Bottom 15°**



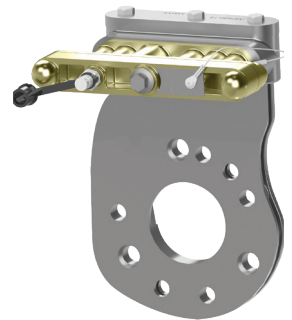
**PART #**  
**ABT606-45**

**Bottom 45°**



**PART #**  
**ABT612-0**

**Top 0°**  
with QD4 Quick  
Disconnect Pressure Tap



**PART #**  
**ABT612-90**

**Top 90°**  
with QD4 Quick  
Disconnect Pressure Tap

## Includes Installation Hardware:

**Mounting  
Studs**



**Gaskets**



**Strainer  
Nut**



**Strainer**

