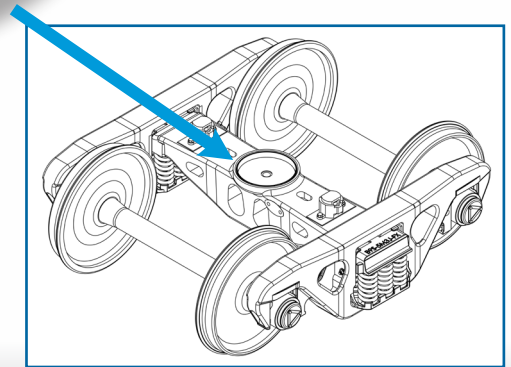




# CENTER PLATE VERTICAL LINER



PRODUCT INFORMATION

## **Features:**

- Split design for ease of fitting
- Chamfered edges for ease of welding and superior penetration
- Stainless steel

## **Benefits:**

- Fits standard bolster bowl applications
- Expendable part saves expensive bolsters / center plates

## **Multiple Sizes Available:**

<b>PART #</b>	<b>SPECIFICATIONS</b> (Nominal Dims)
<b>CPVL-1001-0</b>	16" Diameter x 2" Tall x 1/4" Thick
<b>CPVL-1001-1</b>	16" Diameter x 2-1/4" Tall x 1/4" Thick
<b>CPVL-1002-0</b>	14" Diameter x 1-1/8" Tall x 1/4" Thick

Date: 10.20.16

## **Customer Service**

**Phone: (800)792-0500 Fax: (800)378-7286**

**customerservice@stratoinc.com**

**100 New England Avenue, Piscataway, NJ 08854**