

MISCELLANEOUS REPLACEMENT PARTS

BRAKE PINS



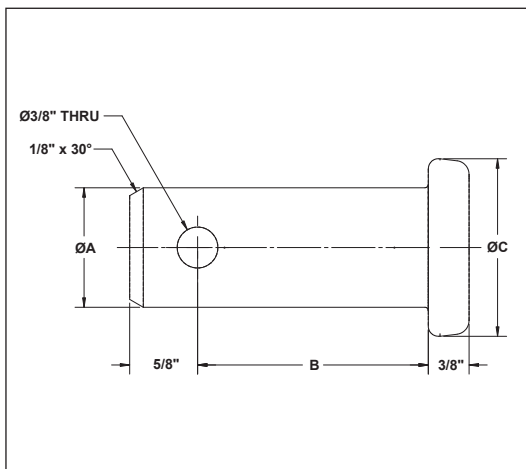
Features:

- Available in most common standard sizes
- Hardened bearing area
- High grade, high carbon steel

Benefits:

- Low cost
- Long service life
- Superior wear characteristics
- Maximum strength

Brake Pin Size Chart:



PART #	A	B	C
P-2001	1"	5"	1-5/8"
P-2002	1-11/32"	4"	1-7/8"
P-2004	1-3/32"	6-1/4"	1-5/8"
P-2006	1-3/32"	5-1/2"	1-5/8"
P-2007	1-7/32"	3-1/2"	1-3/4"
P-2009	1-3/32"	6-3/4"	1-5/8"
P-2010	1-3/32"	7"	1-5/8"
P-2011	1-3/32"	7-1/2"	1-5/8"
P-2012	1-7/16"	3-1/2"	2"
P-2013	1-3/32"	3-3/4"	1-5/8"
P-2029	1-3/32"	2-1/8"	1-5/8"
P-2030	1-3/32"	2-1/2"	1-5/8"

PART #	A	B	C
P-2032	1-3/32"	3"	1-5/8"
P-2033	1-3/32"	3-1/4"	1-5/8"
P-2034	1-3/32"	3-1/2"	1-5/8"
P-2036	1-3/32"	4"	1-5/8"
P-2037	1-3/32"	4-1/2"	1-5/8"
P-2038	1-3/32"	4-3/4"	1-5/8"
P-2039	1-3/32"	5"	1-5/8"
P-2046	1-11/32"	3"	1-7/8"
P-2047	1-11/32"	3-1/4"	1-7/8"
P-2070	1-7/32"	3"	1-3/4"
P-2071	1-3/32"	4-1/4"	1-5/8"
P-2072	1-3/32"	5-7/8"	1-5/8"