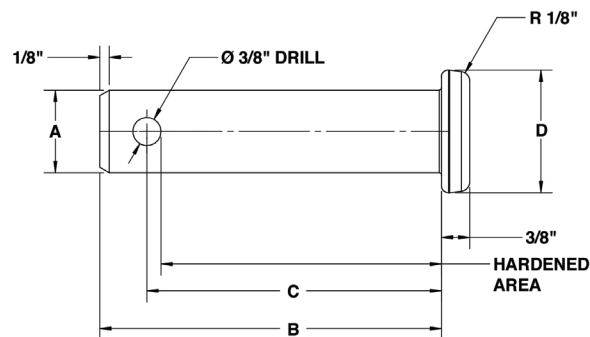




BRAKE PINS



PRODUCT INFORMATION

Features:

- Available in most common standard sizes
- Hardened bearing area
- High grade, high carbon steel

Benefits:

- Low cost
- Long service life
- Superior wear characteristics
- Maximum strength

Brake Pin Size Chart:

PART #	A	B	C	D
P-2029	1-3/32	2-3/4	2-1/8	1-5/8
P-2030	1-3/32	3-1/8	2-1/2	1-5/8
P-2032	1-3/32	3-1/2	3	1-5/8
P-2033	1-3/32	3-7/8	3-1/4	1-5/8
P-2034	1-3/32	4	3-1/2	1-5/8
P-2036	1-3/32	4-1/2	4	1-5/8
P-2038	1-3/32	5-3/8	4-3/4	1-5/8

PART #	A	B	C	D
P-2039	1-3/32	5-5/8	5	1-5/8
P-2046	1-11/32	3-9/16	3	1-7/8
P-2047	1-11/32	3-7/8	3-1/4	1-7/8
P-2070	1-7/32	3-1/2	3	1-7/8
P-2071	1-3/32	4-7/8	4-1/4	1-5/8
P-2072	1-3/32	6-1/2	5-7/8	1-5/8

Customer Service

Phone: (800)792-0500 Fax: (800)378-7286

customerservice@stratoinc.com

100 New England Avenue, Piscataway, NJ 08854