



## BRANCH PIPE HOSE ASSEMBLIES

### REPLACE BROKEN OR CRACKED BRANCH PIPES




1" swivel flange x 1" swivel flange

STRATO PART #	O.A.L
LTH7125	24"
LTH7335	30"



1" swivel flange x 1" 45° swivel flange

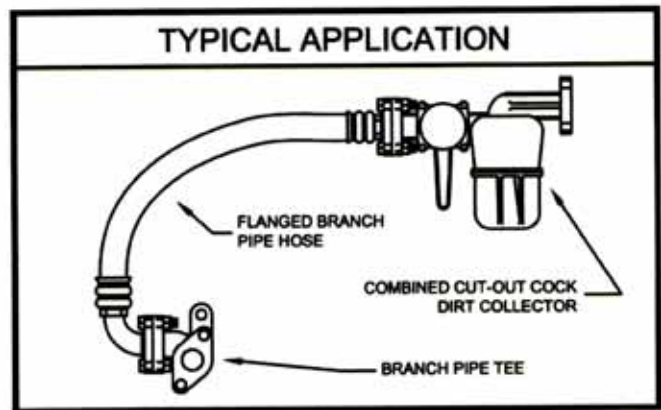
STRATO PART #	O.A.L
LTH7633	24"
LTH3119	30"



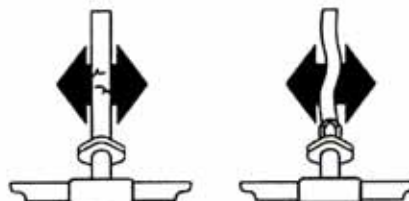
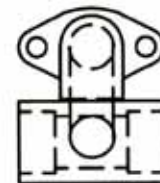
1" swivel flange x 1" 90° swivel flange

STRATO PART #	O.A.L
LTH7466	24"
LTH7634	30"

- For connecting branch pipe tee to the dirt collector cut-out cock.
- All flanged fittings are gasket grooved. Branch pipe hoses are AAR approved for all branch pipe applications.
- Available in any combination of straight, 45° and 90° fittings and variable hose lengths.



**\*Also Available:  
SWBT20-16  
BRANCH PIPE TEE**



*Branch Pipes put stress on system parts! Solve this fatigue problem with hose assemblies!*

**Customer Service - Phone: (800)792-0500 Fax: (800)378-7286**  
**customerservice@stratoinc.com**

100 New England Avenue, Piscataway, NJ 08854