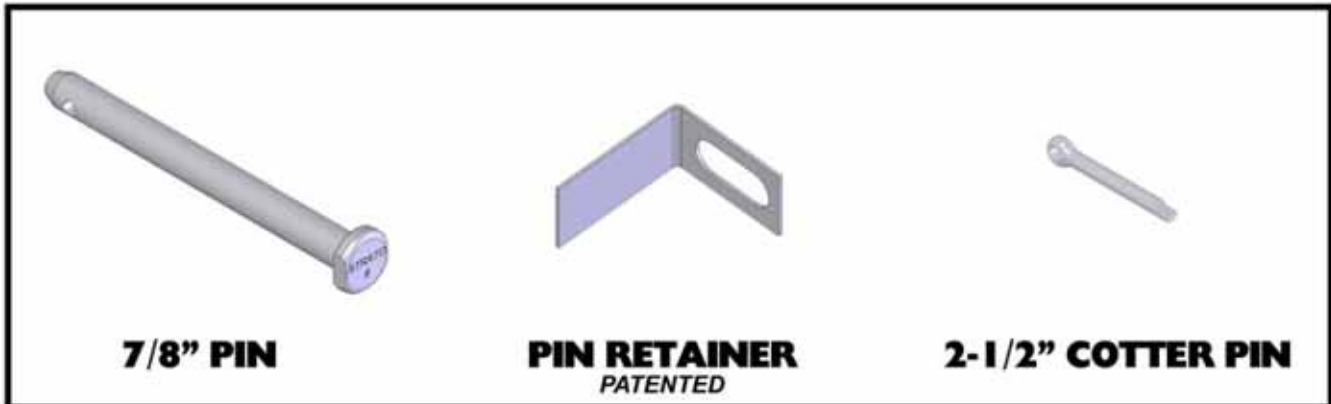


VERTICAL PIN RETAINER BOLT REPLACEMENT

AS PER AAR CIRCULAR LETTER C-10633, DATED NOVEMBER 21, 2007

STRATO KIT PART #: EOC-BRS (AS SHOWN)

PIN RETAINER PATENTED



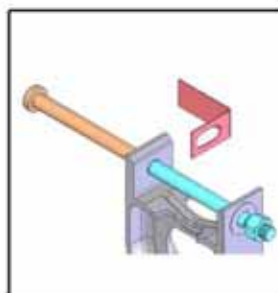
***L-SHAPED RETAINER FITS ANY STANDARD BRACKET!**

INSTALL IN PLACE! NO NEED TO DROP BRACKET!

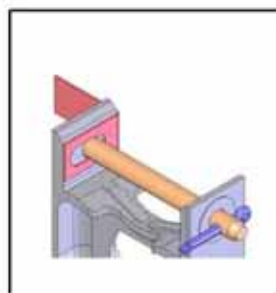
STRATO'S EOC-BRS KIT OFFERS AN EASY INSTALLATION WHILE KEEPING THE BRACKET IN PLACE, SAVING TIME AND INCREASING SAFETY!



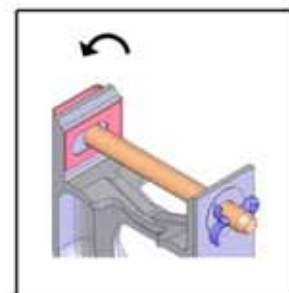
1.) CUT HEAD OFF OF OLD BOLT.



2.) DRIVE PIN IN 1/2". BACK PIN OUT AND THEN INSERT RETAINER.



3.) DRIVE PIN THROUGH RETAINER AND INSERT COTTER PIN.



4.) BEND COTTER PIN AND TAB ON RETAINER.

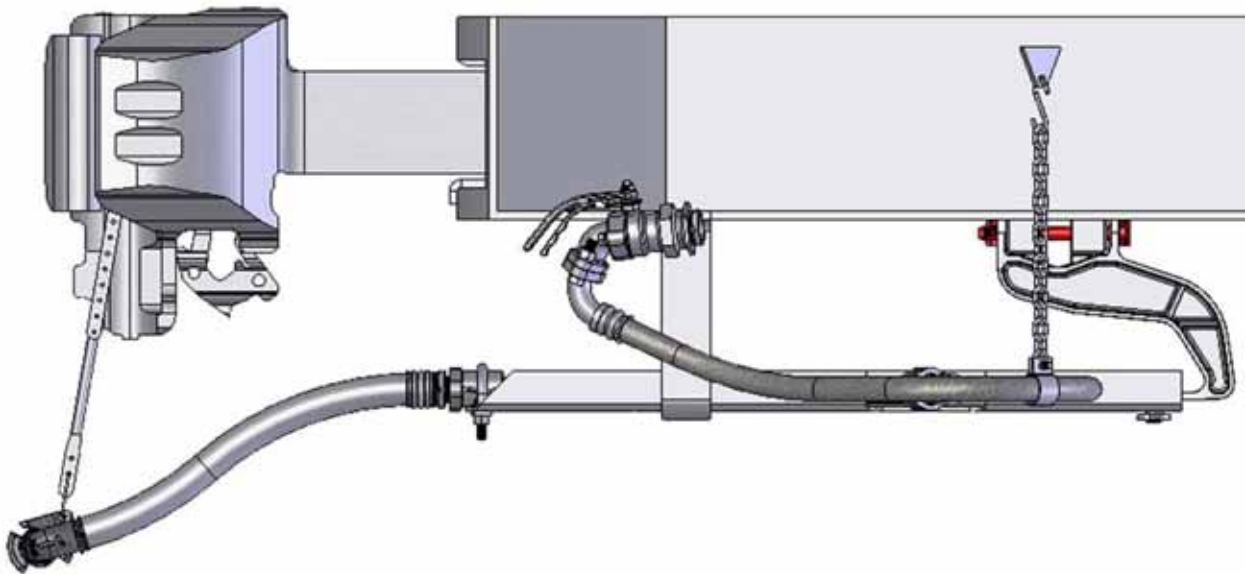
Customer Service - Phone: (800)792-0500 Fax: (800)378-7286
customerservice@stratoinc.com

VERTICAL PIN RETAINER BOLT REPLACEMENT

AS PER AAR CIRCULAR LETTER C-10633, DATED NOVEMBER 21, 2007

STRATO KIT PART #: EOC-BRS (SEE REVERSE SIDE)

STRATO BRACKET RETAINMENT SYSTEM (IN RED) SHOWN
WITH TYPICAL TRAINLINE END OF CAR ARRANGEMENT



EOC-BRS KIT INCLUDES:

1. H121F (7/8" Pin, 1 pc)
2. H120F (Cotter Pin, 1 pc)
3. EOC-PR (Pin Retainer, 1 pc)

**SEE REVERSE SIDE
FOR DETAILS**

STRATO PART # EOCT-FBPT: PIN TOOL FOR INSTALLATION



**AIDS IN REMOVAL OF THE BOLT.
HOLDS ASSEMBLY IN PLACE IF YOU NEED
TO DROP THE BRACKET.**

**Customer Service - Phone: (800)792-0500 Fax: (800)378-7286
customerservice@stratoinc.com**

100 New England Avenue, Piscataway, NJ 08854

SIDE 2