



STRATO
Quality Railroad Products

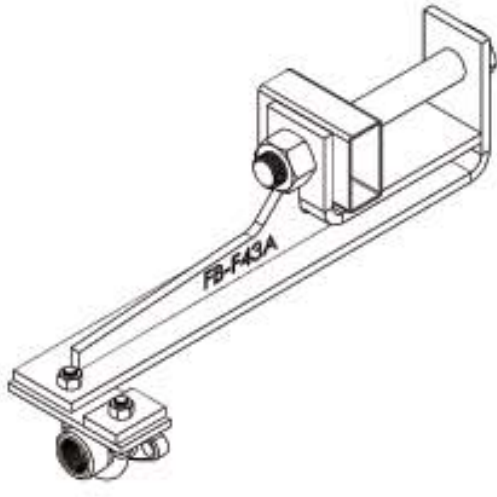
100 New England Avenue • Piscataway, NJ 08854
Customer Service Phone: 1-800-792-0500 Customer Service Fax: 1-800-378-7286

For installation assistance please call 1-800-792-0500

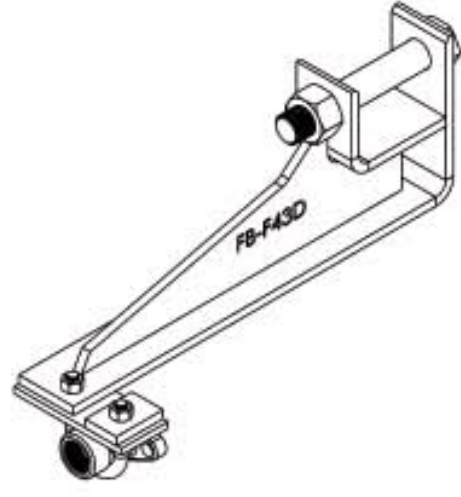
www.stratoinc.com

End of Car Components for Cushioned Cars

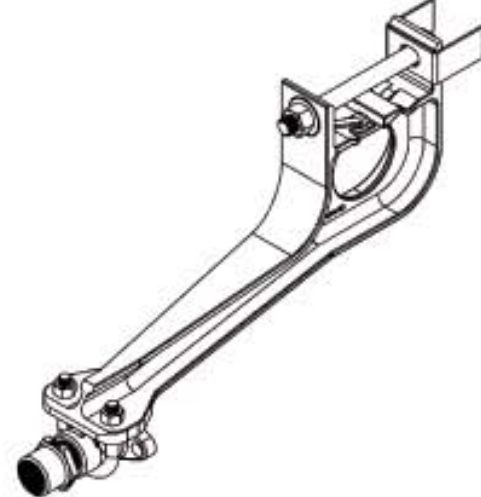
Brackets for F-Shank Couplers - AAR S-4021 & S-4003



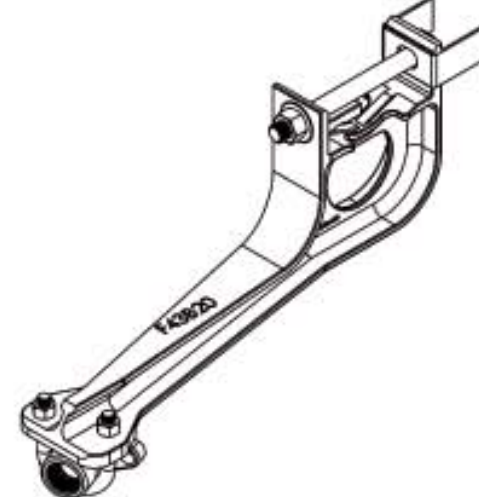
FB-F43AK
Fixed bracket for 43" coupler



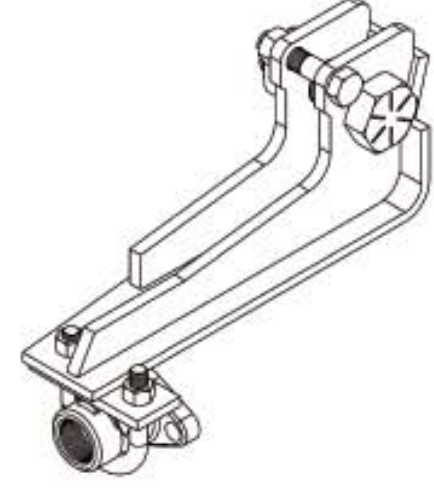
FB-F43DK
Fixed bracket for 43" coupler



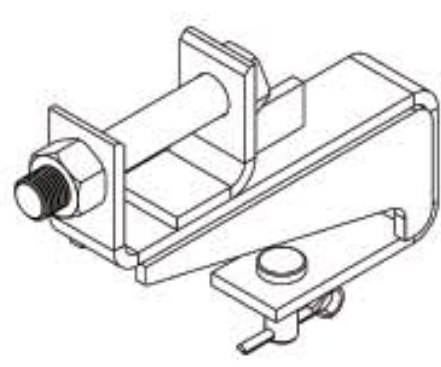
FEOC-F45BK
Fixed bracket for 45" coupler



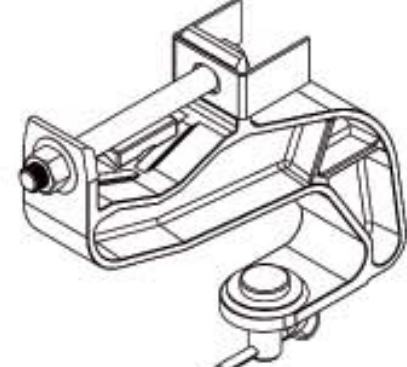
FEOC-F43B20K
Fixed bracket for 43" coupler



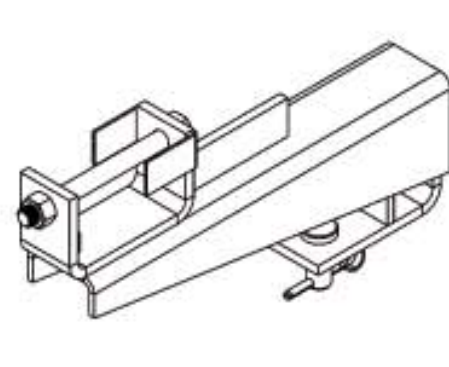
FEOC-F43EK
Fixed bracket for 43" coupler



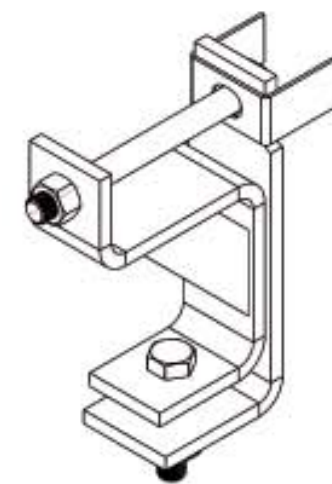
FEOC-PBSNK
Bracket for 60" coupler



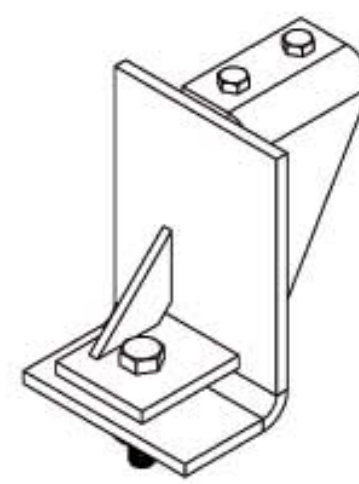
FEOC-PBK
Pivot bracket for 60" coupler



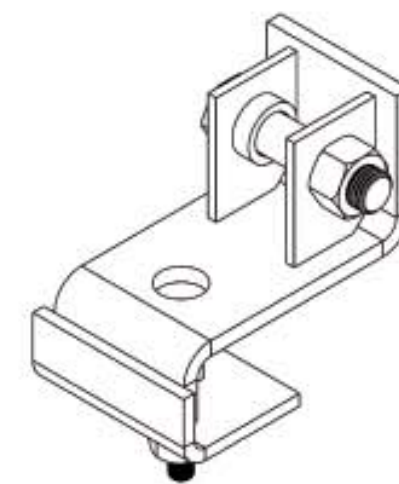
FEOC-PB13K
Pivot bracket for 53" coupler



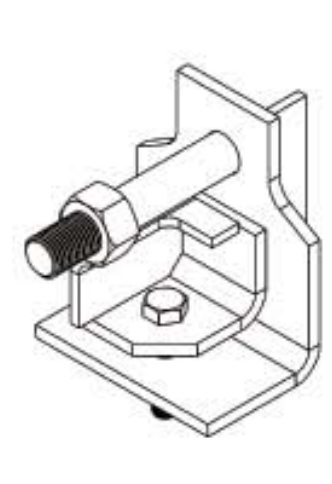
EOC-PB36K
Pivot bracket



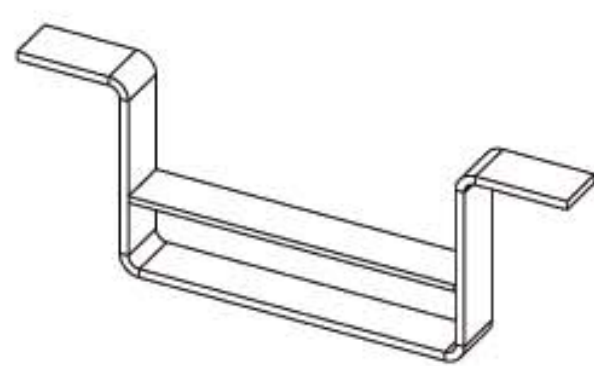
EOC-PBVMK
Pivot bracket



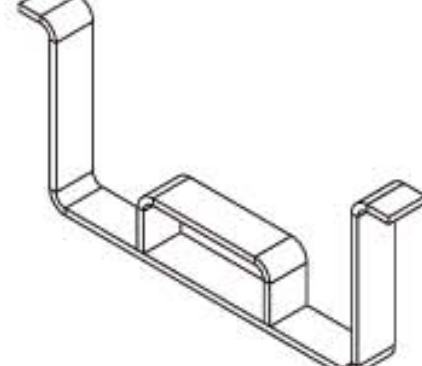
EOC-PBFEK
Pivot bracket



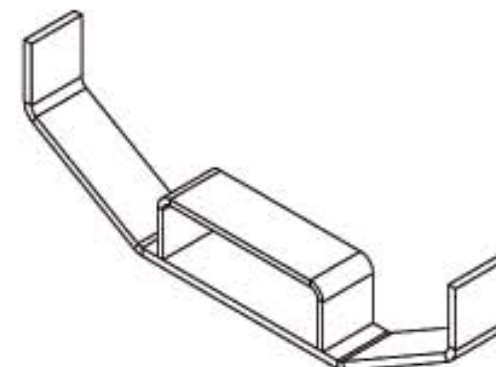
EOC-PBMFK
Pivot bracket



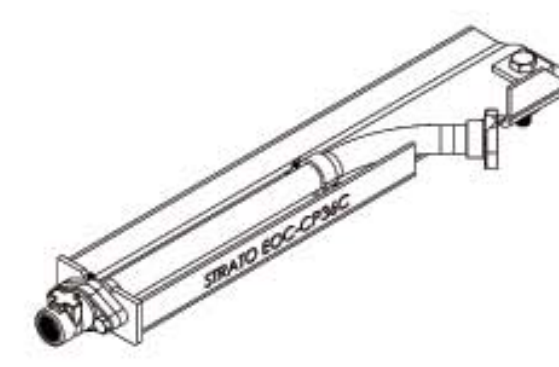
FEOC-SBK
Channel support



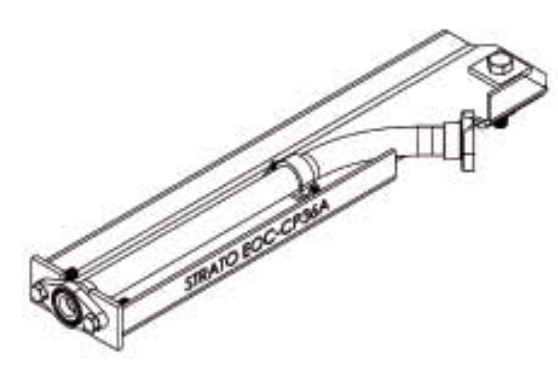
EOC-SB6010AK
Channel support



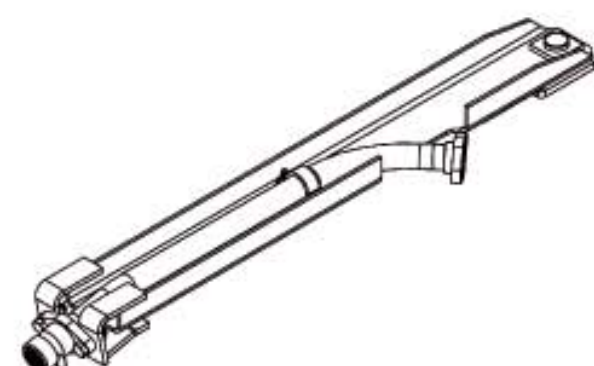
EOC-SBVMK
Channel support



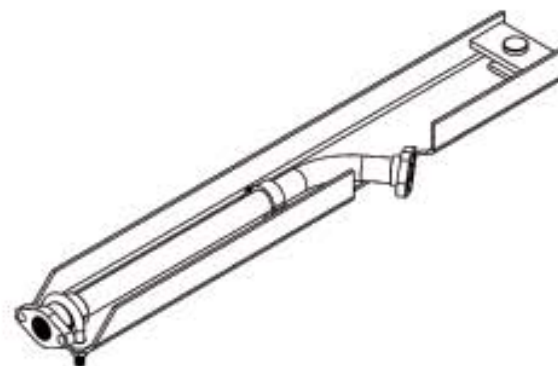
EOC-CP36CK
Pipe and channel assembly



EOC-CP36AK
Pipe and channel assembly for use with 1-1/4" or 1-1/2" end cock



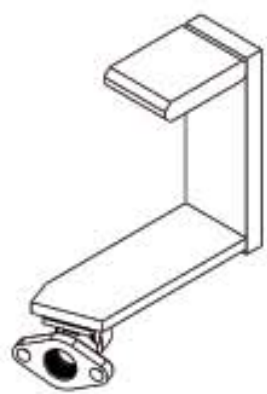
FEOC-PSC-100
Pipe and channel assembly



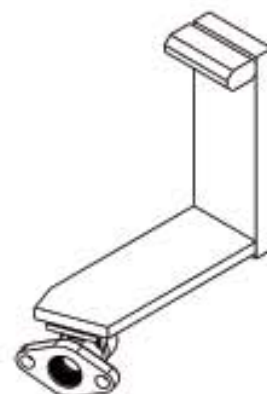
EOC-CP60-UK
Pipe and channel assembly

For 60" couplers where clearance behind the bracket is limited

Brackets for E-Shank Couplers - AAR S-4021



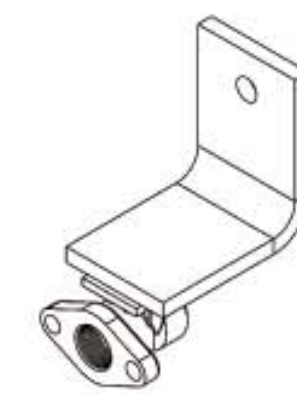
EOC-EB2
E bracket for E67 coupler
* REPLACING EOC-MAL & EOC-FAA



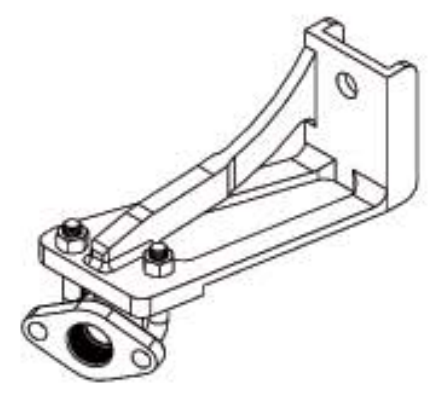
EOC-EB2S
E bracket for E60 coupler
* REPLACING EOC-MAS & EOC-FAA



EOC-FAA
E bracket

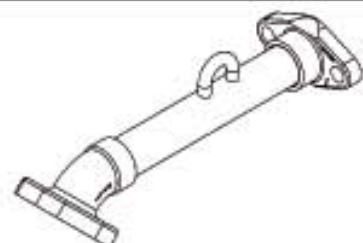


EOC-FAAS
E bracket

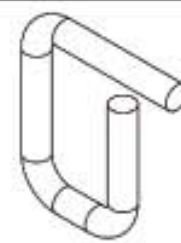


FEOC-EBA18K
E bracket

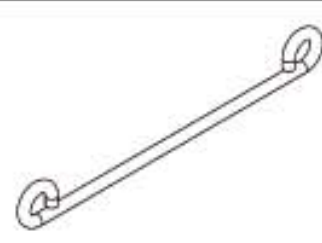
Universal Trolley Arrangement - AAR S-427



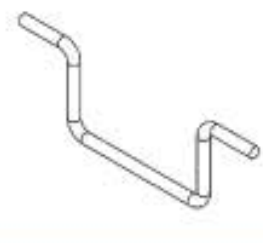
TPA-FT45TF
Trolley pipe assembly



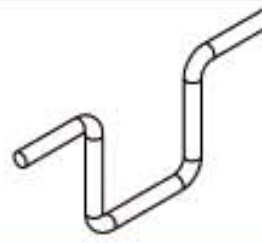
UTFS
Trolley front support for F-shank coupler



UTR
Universal trolley rod



UTRS
Trolley rear support



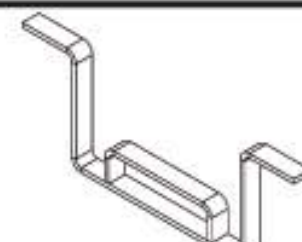
TFS-1
Trolley front support for E-shank coupler



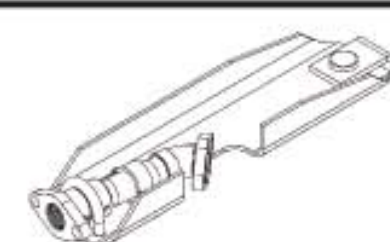
UTS1
Universal trolley shackle

Center of Car Cushioning

For cars with 60" F-shank coupler



TLB743K
Channel support



TLB763K
Pipe and Channel Assembly

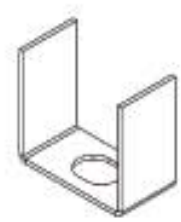


TLB723K
Back support weldment

For cars with E-Shank or 43" F-shank coupler
AAR S-426

TLB2A
Center of Car cushion support bracket

Accessories



EOC-BR
7/8" Bolt retainer



TBT90-20
Threaded 90" sweep elbow



ACF20-20
Angle cock flange adapter



ACS20
Angle cock swivel support fitting



H119
Pivot pin



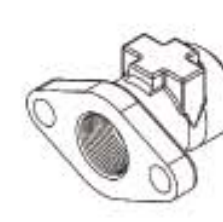
H120
Cotter pin



H114
U-bolt



TSC20-20T
Trainline support casting



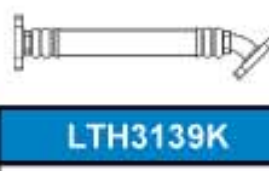
TSC20-20MT
Trainline support casting



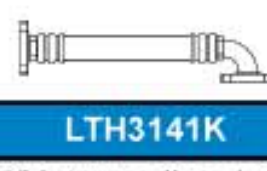
H121
7/8-9 x 9" bolt
Meets AAR Specifications for mounting F bracket



EOC-WP
Wedge plate



LTH3139K
Standard 43-1/2" intermediate hose
*Includes bolts, nuts and gaskets



LTH3141K
39" intermediate hose
LTH7458K
59-1/4" intermediate hose
*Includes bolts, nuts and gaskets



S601500
AAR standard straight shank end hose



S150-24
Intermediate hose hanger



S157-24
Intermediate hose hanger with 2-hole clamp



BC601
End hose hanger