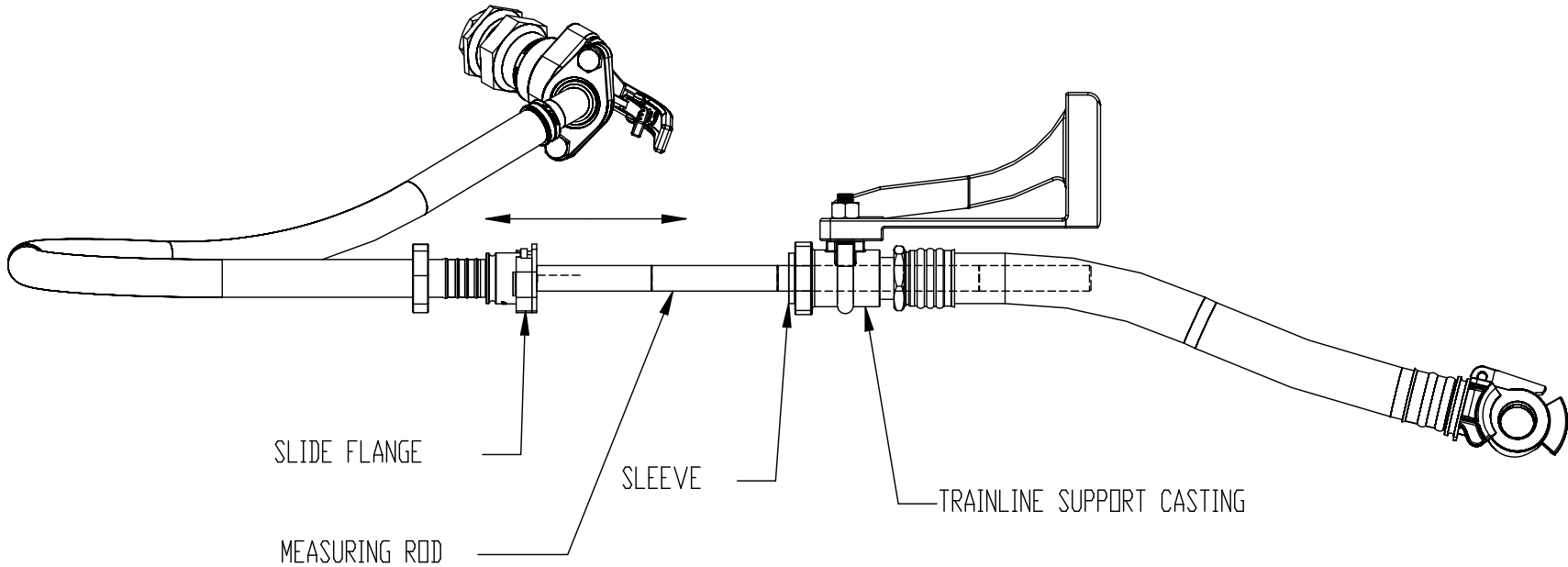


THIS DRAWING IS THE PROPERTY OF STRATO, INC.
 THIS DRAWING IS LOANED UPON THE EXPRESS CONDITION THAT IT
 SHALL NOT BE REPRODUCED IN ANY MANNER, AND SHALL BE RETURNED
 UPON DEMAND. IT IS SUBMITTED FOR EVALUATION PURPOSES ONLY.
 INFORMATION CONTAINED HEREIN, SHALL NOT BE USED, OR
 DISCLOSED TO THIRD PARTIES WITHOUT THE WRITTEN CONSENT OF
 STRATO, INC


STRATO EOCT-IHTS INSTRUCTION PROCEDURE



PURPOSE: TO CHECK FOR CLEARANCE OF THE INTERMEDIATE HOSE WHILE SIMULATING CUSHION UNIT TRAVEL.

INSTRUCTIONS FOR USE:

1. REMOVE INTERMEDIATE HOSE AT TRAINLINE SUPPORT CASTING, IF NECESSARY.
2. THREAD EOCT-IHTS SLEEVE INTO TRAINLINE SUPPORT CASTING.
3. INSERT EOCT-IHTS MEASURING ROD INTO EOCT-IHTS SLEEVE, THIS WILL FIT INSIDE THE END HOSE.
4. CONNECT INTERMEDIATE HOSE SWIVEL FLANGE TO EOCT-IHTS SLIDE FLANGE.
5. SLIDE INTERMEDIATE HOSE DESIRED DISTANCE TO SIMULATE TRAVEL.
6. CHECK FOR PROPER CLEARANCE AROUND ALL PARTS ALLOWING FOR FULL CUSHION UNIT TRAVEL PLUS 1/2".
7. CHECK THE BEND RADIUS OF THE INTERMEDIATE HOSE AND VERIFY THAT THERE ARE NO KINKS OR SEVERE BENDS WHILE SIMULATING TRAVEL.
8. AFTER CLEARANCE HAS BEEN VERIFIED, REMOVE ALL EOCT-IHTS COMPONENTS AND PROCEED WITH REPAIR AND/OR ASSEMBLY.

NEXT HIGHER ASSEMBLY		 Quality Railroad Products	100 New England Avenue Piscataway, N.J. 08854 SD-4 REV. D
X			
REFERENCE DRAWINGS		DESCRIPTION	
UNLESS OTHERWISE SPECIFIED TOLERANCES ARE AS FOLLOWS:		EOCT-IHTS INSTRUCTION SHEET	
FRACTIONS	— ±1/64"	DRAWN BY	CHECKED BY
TWO PLACES	— ±0.010	JR	LMH
THREE PLACES	— ±0.005	SCALE	DATE
ANGLES	— ±1/2°	1:16	08/18/04
HOSE ASSY.	— ±1/2" OAL	DWG. NO.	REV
FINISHED SURFACE	— ±1/2" OAL	EOCT-IHTS-IW	
FILLETS & EDGES 2R OR CHAMF.		SHEET 1 OF 1	