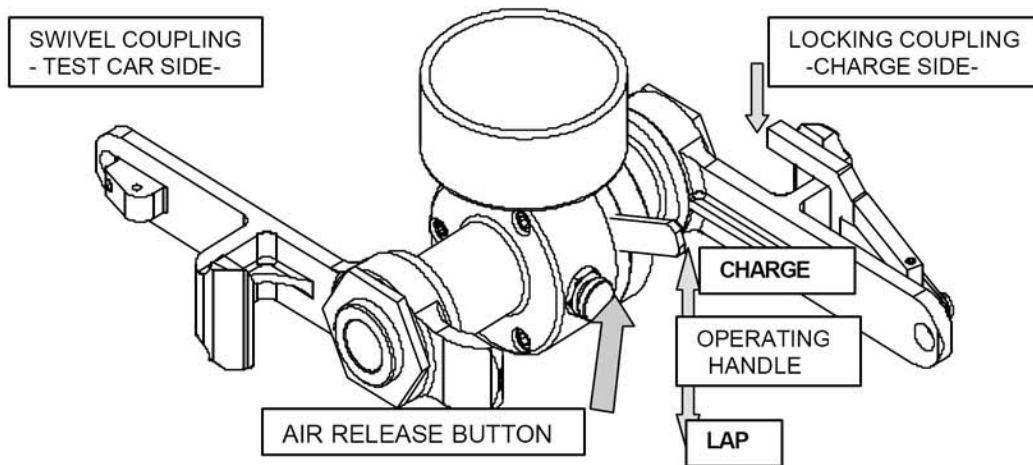


## INSTRUCTIONS FOR TEST

- 1) DETERMINE CAR TO BE TESTED
- 2) INSTALL TEST DEVICE AS FOLLOWS:
  - a) Close angle valves on car to be tested (both ends)
  - b) On adjacent car toward yard air (or locomotive) close the angle valve on the end next to the car to be tested.
  - c) Release air pressure trapped between angle valves in the end hoses using " air depleting tool "
  - d) With air pressure released uncouple end hose gladhands
  - e) Install test device between end hose gladhands. Note: locking coupling must be installed on car toward yard air, not toward car to be tested
- 3) WITH TEST DEVICE PROPERLY INSTALLED AND TEST DEVICE OPERATING HANDLE IN LAP POSITION OPEN ANGLE VALVES ON BOTH SIDES OF DEVICE ONLY (OPPOSITE END OF CAR TO BE TESTED ANGLE VALVE TO REMAIN CLOSED)
  - a) MOVE OPERATING HANDLE TO CHARGE POSITION (the system will charge with air)
- 4) WITH CAR BRAKE PRESSURE FULLY STABILIZED NOTE AIR PRESSURE ON GAGE
- 5) MOVE TEST DEVICE OPERATING HANDLE TO LAP POSITION, AND CHECK FOR PRESSURE DROP ON GAGE. IF DROPS, CHECK CAR FOR LEAKS.
- 6) TO MAKE A BRAKE APPLICATION ON THE TEST CAR, PRESS THE AIR RELEASE BUTTON ON TEST DEVICE AND REDUCE BRAKE PIPE PRESSURE 20 psi READ AT GAGE. RELEASE BUTTON, AIR WILL STOP FLOWING
- 7) INSPECT CAR FOR PROPER BRAKE CYLINDER APPLICATION
- 8) RECHARGE TEST CAR TO RELEASE THE BRAKES, MOVING OPERATING HANDLE TO CHARGE POSITION
- 9) TO REMOVE TEST DEVICE:
  - a) Close angle valves on both sides of test device
  - b) Press air release button to exhaust air pressure in end hoses. **MAKE SURE THE OPERATING HANDLE IS IN CHARGE POSITION!**
  - c) With air exhausted remove test device and re-couple end hose gladhands
- 10) SLOWLY OPEN ALL THREE ANGLE VALVES, STARTING AT THE CAR CONNECTED TO YARD AIR

## DEVICE DESCRIPTION ON REVERSE SIDE

### DEVICE DESCRIPTION



### INSTRUCTIONS FOR TEST ON REVERSE SIDE



**Customer Service - Phone: (800)792-0500 Fax: (800)378-7286**

**customerservice@stratoinc.com**

100 New England Avenue, Piscataway, NJ 08854